

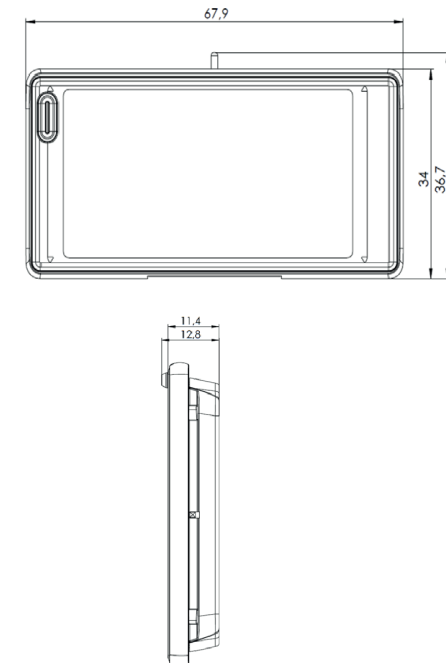
VUSION 2.2 BW Freezer

Technical Details

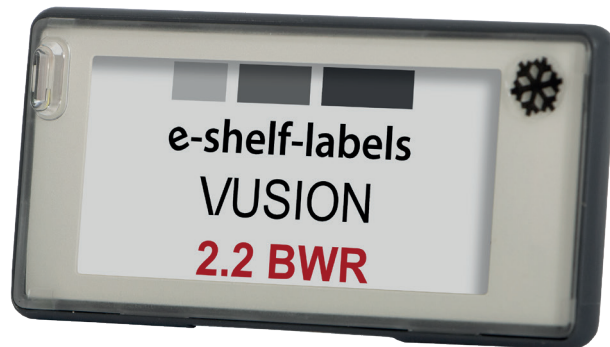
Dimensions (mm)	67.9 × 36.7 × 11.4 (without LED and Easylock)
Display technology	Full graphic E-ink display
Active display area (mm)	48.6 × 23.8
Resolution (pixels)	212 × 104
Pixel density	111 dpi
Pixel colors	Black/white
Usable pages	4
Viewing angle	Nearly 180°
Label updates/hours	10000/6500
Operating temperature	-25°C to +30°C

Battery	2 x CR2450
Battery lifetime	10 years (7.000-10.000 updates)
Encryption	128-bit AES with secure key exchange
Compliance	CE, ROHS, FCC/IC
Packaging unit	100 labels/box
Wireless connectivity	Active NFC
LED	1x White + 1x RGB LED
Operating frequency	2.400 – 2.480 GHz, maximum EIRP ≤ 10 mW
Wireless firmware update	Yes

Technical Drawing



VUSION 2.2 BW Freezer



e-shelf-labels | S&K Solutions GmbH

Sailerwöhr 16 | 94032 Passau
+49 (0) 851 / 2009 30 30

info@e-shelf-labels.com
www.e-shelf-labels.com

a brand of 
solutions